

# IMPORTANT STUFF

## Official News of the Dayton Community Chapel of Seventh-day Adventist Church

321 Broadway Street, Dayton, TN 37321

Mailing Address: PO Box 747, Dayton, TN 37321

[DaytonSDAChapel.com](http://DaytonSDAChapel.com)

June 2025

### WORSHIPPING ON BROADWAY

Ok so it's not what you think. We have moved to 321 Broadway Street from Mulberry Street in Dayton, TN.

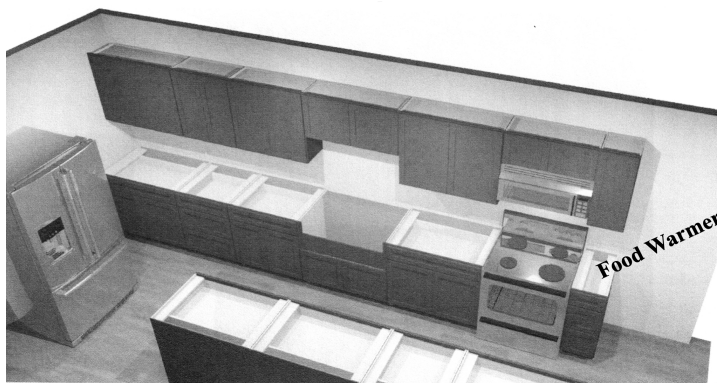
TDOT is coming our way and will be absorbing our former church for progress and widening of Hwy 30. We found a church for sale and with huge help from our Conference Family (Thank you GA-Cumberland Conference of SDA) we have been able to find and move into an "all on one level" building. Having been built in the early 70's there is work to be done and spaces to be reworked. The entire move has been an act of faith and the Lord has not let us down.

### FELLOWSHIP HALL & KITCHEN

Our first Sabbath on Broadway had 50 attending our fellowship meal. Our problem is we have seating for 34 places at tables with four of them facing the wall, almost like they are being punished!

Moving the kitchen area, and moving one interior wall, allows us to increase our seating to fifty-six and if we add a chair at the end of each table bump that up to sixth-three!

After considering building on to the back of the fellowship hall area we realized that \$70,000 to \$84,000 (based on the cost per sq foot of \$250 to \$300 a square



foot) (used by Risk Management as a replacement cost formula) was just too much and still not a great outcome.

See the attached floor plan of the Kitchen & Fellowship Hall rework and note we end up with workable space at a cost of **\$47,000 materials and labor. This new space makes it possible for us to have Cooking Schools.**

### EVANGELIST CENTER



At the June 16, 2025 Church Business Meeting it was voted to rework the back area of our large sanctuary to create a smaller "Gathering Place."

This space will include a Pergola (indoors) with atmospheric lighting to create a desirable space for Pentecost 2025, Sabbath School (adult), and possibly the Mid Week Service, creating a warm gathering place around a gas fireplace.

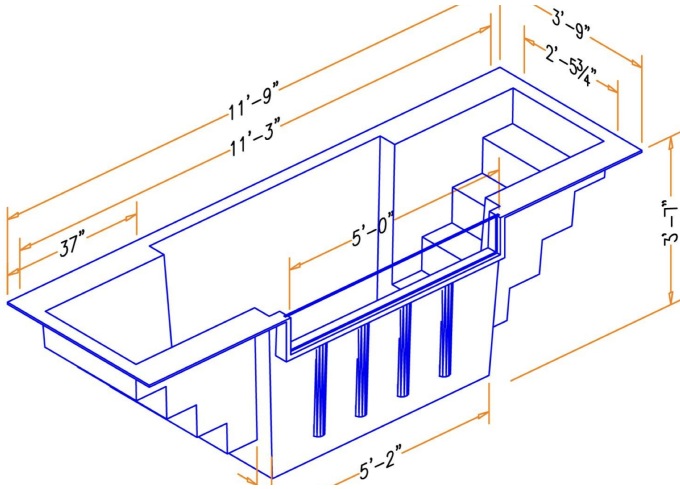
Thank you to the family of Gladys Lincoln whose daughter Sharon Holland visited our church while helping her sister close up her mom's home after her recent passing. She saw the note in our bulletin about the expenses we are facing, and funded this Evangelistic project!

The DCC Gathering Place (Evangelistic Center) project will start in the next few days. Thank you Sister Lincoln!

# TWIN ENTRY BAPTISTRY

Our current baptistry has only one entrance in addition to having a weakened supporting structure, "tired viewing glass, and zero dressing rooms.

It means as we welcome new members we have to wrap them in a blanket and take them down two halls to get to a bathroom to change. It is just seems rude to treat newly baptized members this way.



Our best numbers show us **\$25,314.41** would give us a twin entry baptistry including heater, viewing glass, and overflow protection, AND two comfortable dressing rooms, his/hers.

This cost includes the needed framing, electrical, plumbing, sheetrock, flooring and labor to make it all happen.



**FIRST  
THINGS  
FIRST**



**Last October** We voted to partner with the GA-Cumberland Conference, the Southern Union and the North American Division and proclaim twenty-six full Evangelistic messages straight from God's Word.

**NEW BEGINNINGS** is scheduled for weekends this October. We are working hard to prepare. We are seeking the outpouring of the Holy Spirit as we continue to read *Steps To Personal Revival* multiple times each. We had three weekends of Learning to Care and Visitation Training, and we are working hard to prepare materials. Pastor Nash and Don Johnson have teamed up to present this series of Gospel presentations.

**WE NEED HELP.** It is hard to admit but we just don't have the resources to renovate the Kitchen & Fellowship Hall, and the Baptistry Project to be ready for our time of Sharing the Gospel.

## **\$47,000 Kitchen & Fellowship Hall \$25,314 Baptistry & Changing Rooms**

At our June 16, 2025 Church Business Meeting we opened by singing:

"The Goodness of God," and closed with "I Cast All My Cares Upon You."

It is true all my life You have been faithful.  
All my life You have been so, so good.  
With every breath I am able  
I will sing of the goodness of God!  
I will sing of the Goodness of God.

What is the Lord inviting you to do to help us prepare His house for:



(See the attached chart of our proposed Kitchen, Fellowship Hall, and Cooking School Space.)